

CLASS 125

BRONZE Y-PATTERN SWING CHECK VALVE

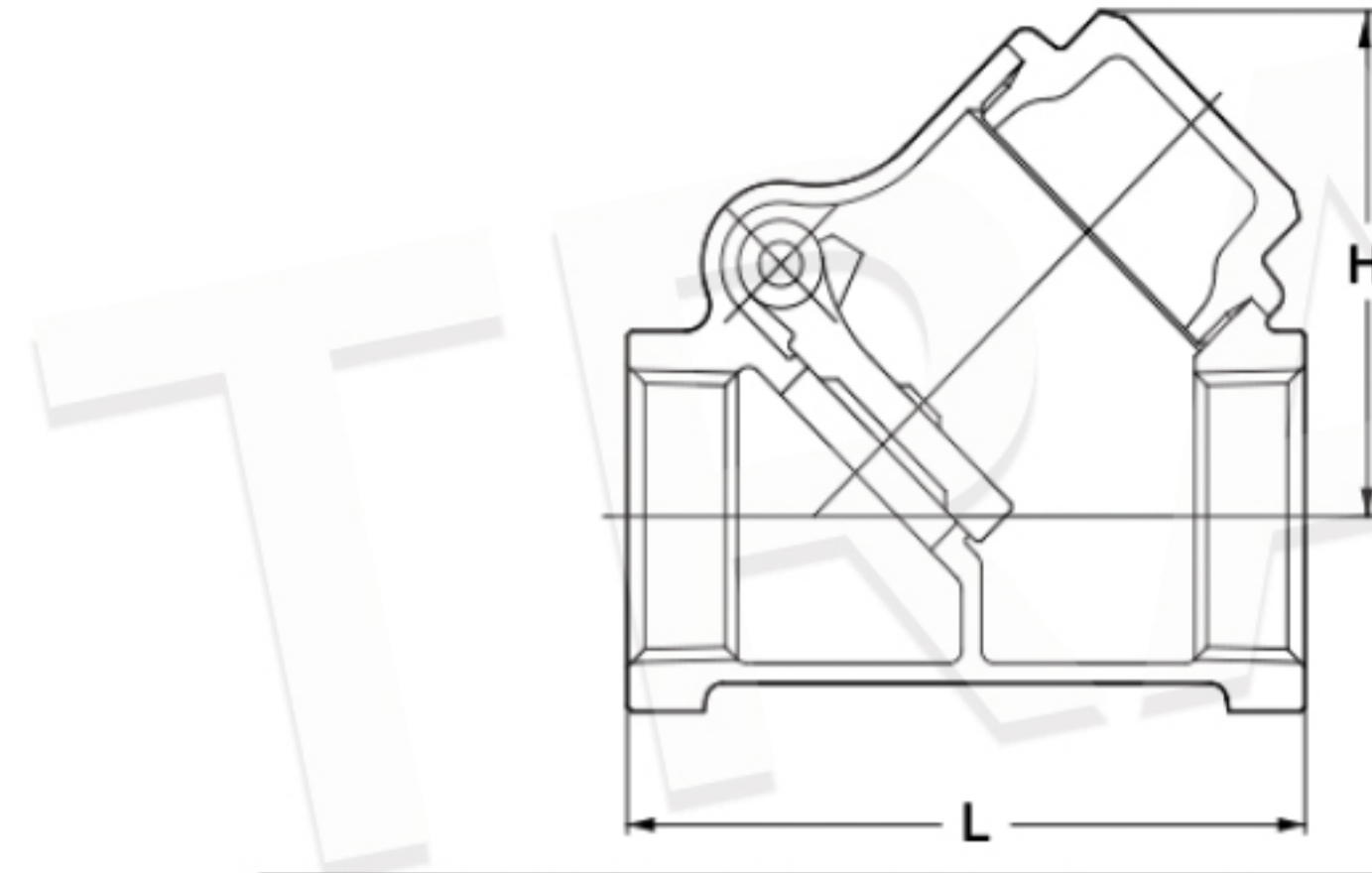
Screwed cap, Swing type disc,
Threaded ends to BS21 (JIS B0203)

W.O.G. non-shock 1.38 MPa (200 psi), Saturated steam pressure 0.86 MPa (125 psi)



Fig. YR

• Threaded end to BS21 (JIS B0203)



Materials

Parts	Material
Body	Bronze
Cap	Brass
Hinge pin	Copper
Disc	Bronze



Solder joint end valves should not be used in service where the temperature of line fluid is higher than the softening point of solder.

⚠ Don't use for Flammable gas or Toxic gas.

Dimensions

Nominal Size	inch	3/8	1/2	3/4	1	1 1/4	1 1/2	2
	mm	10	15	20	25	32	40	50
L		54	56	70	80	95	110	128
H		40	40	49	58	71	80	95